

SIEVE SHAKER FOR PRODUCTION



Advantages:

- Sieve shaker for small productions.
- Change of the sieve in seconds.
- Adjustable speed.
- Easy to clean.
- Highly versatile. Easy to operate.
- Silent.
- Mobile. Wheels included.
- Low maintenance.
- Low power consumption.
- Standard CISA sieves Ø450 mm.
- Long life mesh.
- Possibility of ATEX machine.
- 2 years of warranty.



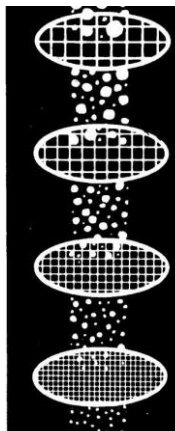
The sieve shaker **VIB450** is ideal for cleaning and security sieving process, separating the agglomerates, lumps and wrong particles from the product. It allows screening the product stored in bags or drums, in a simple and quick way, achieving a production of 30-70 kg/h. depending on the product and the mesh opening. It is suitable for screening solids from 40 microns to 25 mm.

Used in different sectors –food, pharmaceuticals, chemicals, cosmetics, herbal, wood, metal, etc- it serves for multiple applications: additives, minority, micro ingredients control before bagging, product recycling, filtration, etc.

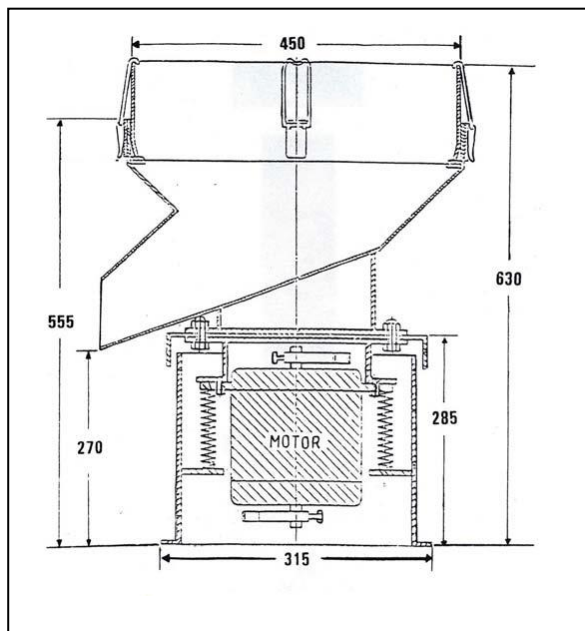
Fully made of stainless steel AISI 304 or AISI 316 and mounted on a mobile structure, it is equipped with an electric vibrator controlled by an inverter that regulates the speed of rotation depending on the product to be sieved. Acceleration and deceleration are progressive, providing high durability to the equipment.

The polished mirror finish facilitates the cleaning of equipment. It allows one sieve of Ø 450 mm, easy and fast to change.

If the equipment has to be installed in areas classified as potentially explosive, it can be manufactured with materials and ATEX certification.



Dimensions



External dimensions.

Regulation



Control panel with Speed and Sieving time adjustments.

CARACTERÍSTICAS TÉCNICAS

Type of equipment:	Semiindustrial. Mobile.
Type of sieving:	Dry / Wet
Application:	Granulometric separation
Maximum weight of sample:	30-70 kg. (Depending on the characteristics of the product)
Range of sieving:	40 μ m to 25 mm
Particle motion:	Three-dimensional
Dynamic of sieving:	Nominal speed 3000 RPM, adjustable by VFD system.
Time of test:	From 1 to 60 minutes.
Work cycle:	Continuous mode (with variation of speed)
Acceleration/deceleration:	progressive
Maximum number of sieves:	1
Diameter of sieves:	450 mm
Electrical connection:	Single phase with protective earth
Voltage:	200-240V 50/60Hz or 100-130V 50/60Hz
Power:	0,350 HP / 250 W.
Dimensions, Weight:	450 x 450 x 630 mm, 45 kg